

KCP-831 Half Coupler

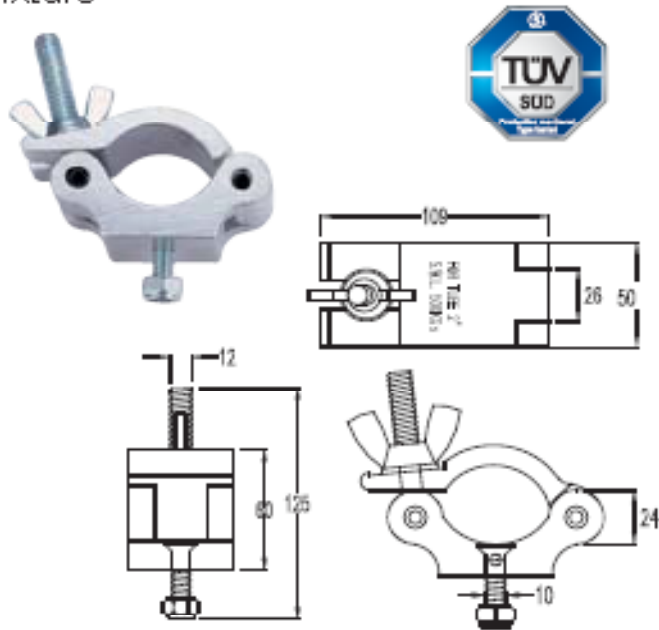
weight: 0.55kg

working load: 500kg

Supplied complete with a rated

M10 x 28 bolt & lock nut

Suitable for use with large lighting
fixture



SWL: 40 Kg

Tube Diameter: 48 to 51mm

Overall Height: 125mm

Fixing Hole: 13mm

Weight: 0.32 Kg

KCP-832 Swivel Coupler

weight: 1.2kg / working load: 500kg

Allowing a full 360 degree of
movement. Easily fixed in a 90
degree configuration with the
supplied drift pin

